

S-Walk Technical description

10/20/30/ Ultra light Carbone structure / 2.5 kg

13/ Long life Lithium-ion Battery 260Wh , 24V/ high end magnetic connector for automatic plug/ up to 54 holes / 1.3 kg

5/ removable front wheel (push & pull) – composite material – integrated soft tire / 630g each

6/7/ removable rear wheel (push & pull) – composite material – free-wheel position – integrated soft tire / 750g each

55/ smart motion electronic- automatic speed controler – Up hill & down hill controler/ electronic sensor – Automatic speed regulation & ON/OFF & pause buttons for reverse & small manoeuver

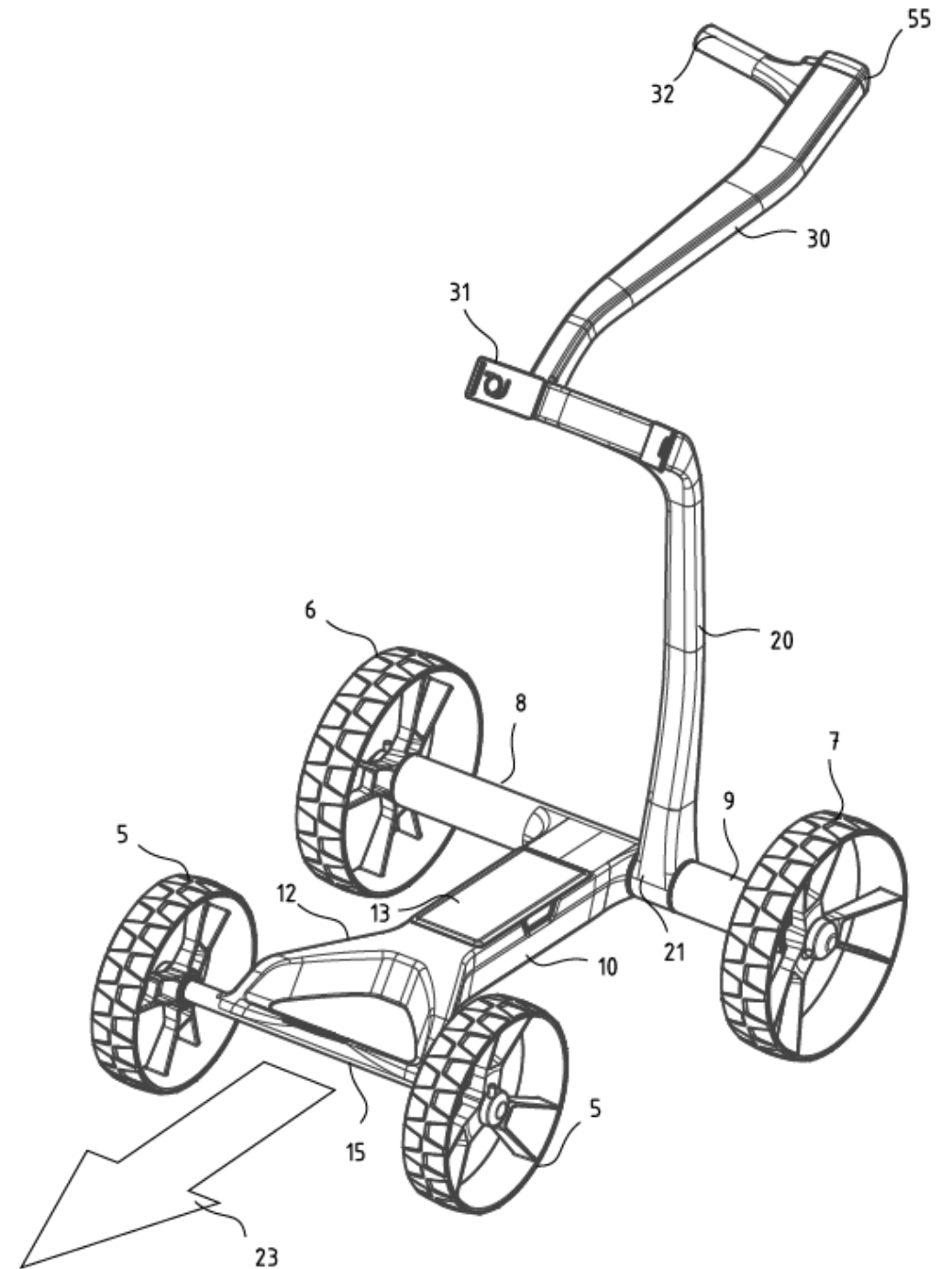
8/9/ two high power Brushless motors with LowNoise gearbox – automatic brake / 750g each

15/ alloy plate bag support (all bag compatible)

31/ bag supports with fast & stable fixation

21/ folding automatic pivot / quick release handle for 2 second folding

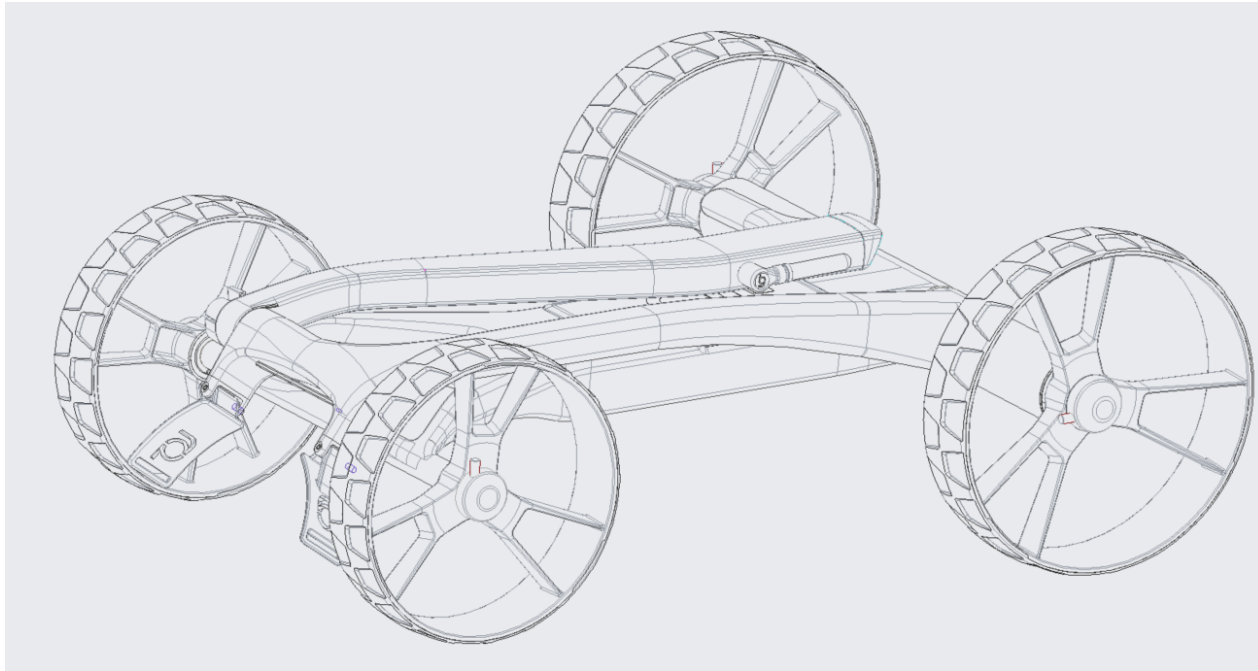
Integrated Umbrella support – quick multi position





hit the green

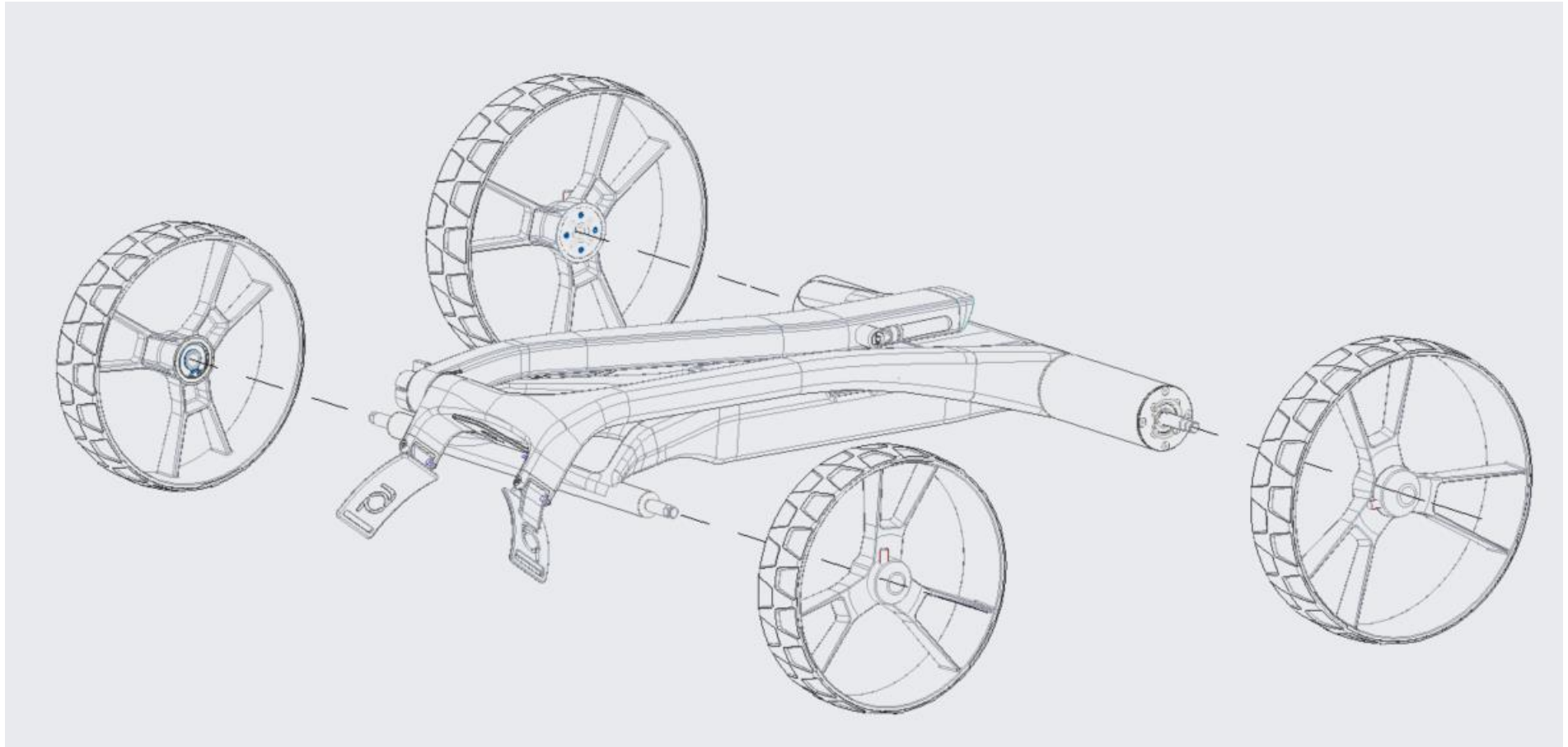
Unscrew the handle locker and flip the handle & the arm





hit the green

Press the wheel pin and slide out the wheel





hit the green

